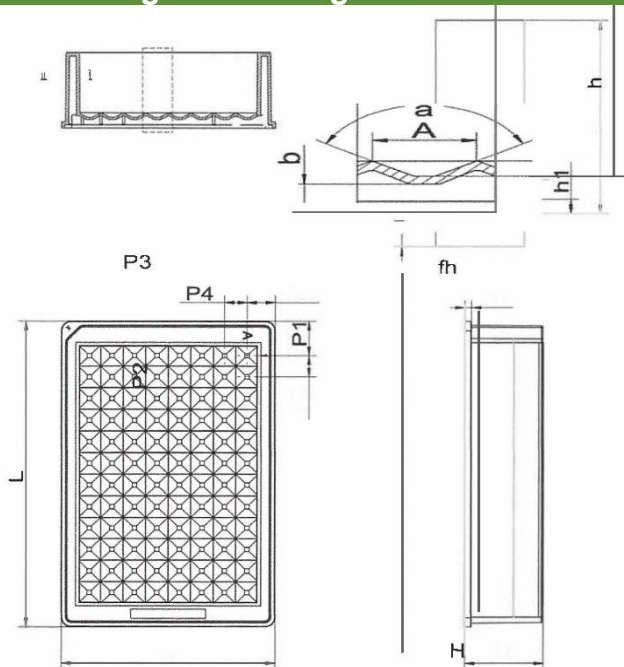




Specification

Single Well Reagent Reservoir with 96-Bottom Troughs, High Profile, Sterile



Catalog Number: GFC-RESSW96HPST

Material: Virgin polypropylene

Theoretical Weight: 39.14g

Storage: 15 - 30°C

Description: Microplate reservoir made of virgin polypropylene, fully compliant with the ANSI/SLAS 1-2004 Microplate standards, ideal for use in 96 and 384 well plate automation systems. Footprint dimensions are compatible with most automation systems. Diamond-shaped collection pools at the base greatly reduce dead volume. It is ideal for molecular diagnostics and life science use, as a non-pyrogenic, DNA, RNA, and nucleases free product.

DIRECT REPLACEMENT FOR
Axygen®+/Corning® RES-SW96-HP-SI

Features	Dimension
Plate Dimensions Length Width Height FH	127.76mm 85.48mm 31.40mm 2.60mm
Well Dimensions Depth Well Length	26.85mm 8.90mm
Bottom Angle Space	121.0° 3.55mm
Position of Well Center P1 P2 P3 P4	14.38mm 9.00mm 11.24mm 9.00mm

Approved by:

John Grubb

Date: February 25, 2021

John Grubb, PhD
 Gojira Fine Chemicals, LLC
 Quality Manager
 Tel: 440-539-7033 Fax: 888-211-5523 e-mail: john@gojiraafc.com